

**Model:** D-131

**No.** 520

**Subject:** Does not play back (the unit used KSS-411A)

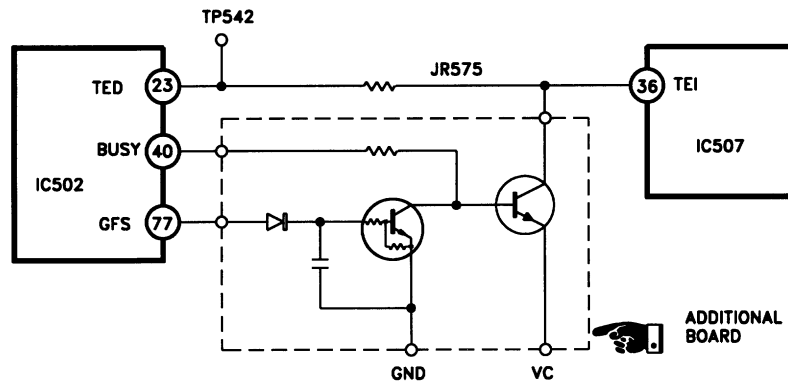
**Date:** April 14, 1997

**Symptom:**  
(112)

Unit has a KSS-411A optics as identified in supplement-3 and does not play disc, read or rotate.

**Solution:** Change the value of the following components.

REF	FORMER		NEW	
	DESCRIPTION	PART NUMBER	DESCRIPTION	PART NUMBER
R514	56K OHM 1/16W	1-216-842-11	22K OHM 1/16W	1-216-837-11
C509	.022UF 25V CHIP	1-164-227-11	1000PF 50V CHIP	1162-964-11
C510	.0033UF 50V CHIP	1-162-967-11	470PF 50V CHIP	1-164-362-11
JR575	0 OHM CHIP	1-216-864-11	2.2K OHM 1/16W CHIP	1-216-85-11
<b>ADD BOARD</b>			TED MUTE MOUNT KIT	X-4946-602-1



(Continued)



Connections for Additional Board

Terminal	Wiring to Location
Busy	IC502 pin 40
GFS	TP558
TED	JR575 (2.2k ohm)
VC	TP512
GND	TP410

